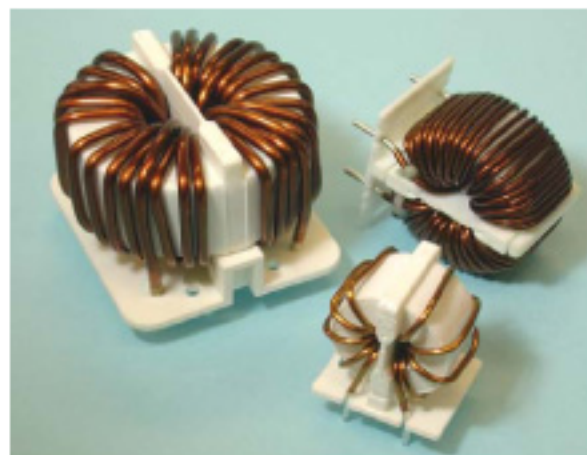


Common Mode Choke Coil TCY,TCT Series



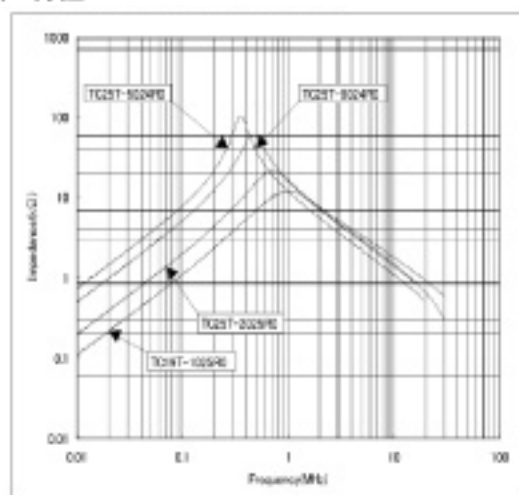
◆ 用途 Uses

- スイッチング電源用コモンモードフィルタ
- アクティブフィルタ等のノーマルノイズの除去
- インバータ、IH家電用コモンモードフィルタ

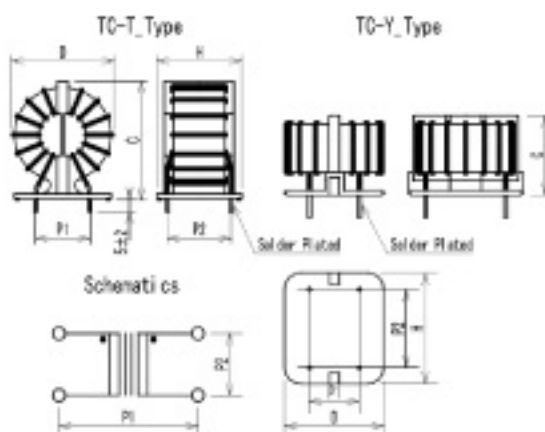
◆ 特長 Features

- 端子台構造の為、基板実装性・耐震性に優れる
- 大電流(～20A)まで対応可能
- トロイダル形状の為、小型・大インダクタンス

◆ 特性 f-Z Characteristics



◆ 寸法 Dimensions [mm]



◆ 仕様 Specification

Model No.	Rated Current Inductance		DC Resistance [mΩ] max.	Temperature Rise [K] max.	Dimension [mm]					Wire [mm] φ
	[A]	[mH] min.			D max.	H max.	C max.	P1 typ.	P2 typ.	
TC19T-1022R0	2	1	100	40	25	20	27	10	15	0.6
TC19T-2022R0	2	2	110	40	25	20	27	10	15	0.6
TC19T-3022R0	2	3	110	40	25	20	27	10	15	0.6
TC19T-5022R0	2	5	120	40	25	20	27	10	15	0.6
TC25T-5024R0	4	5	80	60	34	23	33	18	16	0.8
TC25T-8024R0	4	8	90	60	34	23	33	18	16	0.8
TC19T-1025R0	5	1	50	40	25	20	27	10	15	0.8
TC25T-2025R0	5	2	70	40	34	23	33	18	16	0.8
TC25T-3025R0	5	3	70	55	34	23	33	18	16	0.8
TC25T-10210R	10	1	20	40	34	23	33	12	17	1.3
TC31T-20210R	10	2	22	50	42	29	44	18	22	1.4
TC31T-15212R	12	1.5	18	50	42	29	44	18	22	1.5
TC25T-50115R	15	0.5	8	60	34	23	33	18	16	1.5
TC31T-10215R	15	1	12	55	44	30	44	18	22	1.7
TC31T-50118R	18	0.5	7	50	44	30	44	18	22	1.8
TC38Y-10210R	10	1	22	45	42	41	30	17	30	1.4
TC38Y-15212R	12	1.5	18	45	42	41	30	17	30	1.5
TC38Y-10215R	15	1	12	50	44	41	32	17	30	1.7
TC38Y-20215R	15	2	12	45	51	45	34	26	30	1.8
TC38Y-15218R	18	1.5	10	55	51	45	34	26	30	1.8
TC38Y-10220R	20	1	8	55	51	45	34	26	30	2.0

• Temperature Range (Storage condition) : -25~+120°C • Temperature Class : E (120°C)

• Rated voltage : 250V (AC/DC) • Insulation resistance : at 500VDC, more than 100MΩ

• Test voltage : 2,000VAC

SMI Cat. 200801/003